

Spare parts  
catalogue for  
spreaders  
"BATALION"

N280

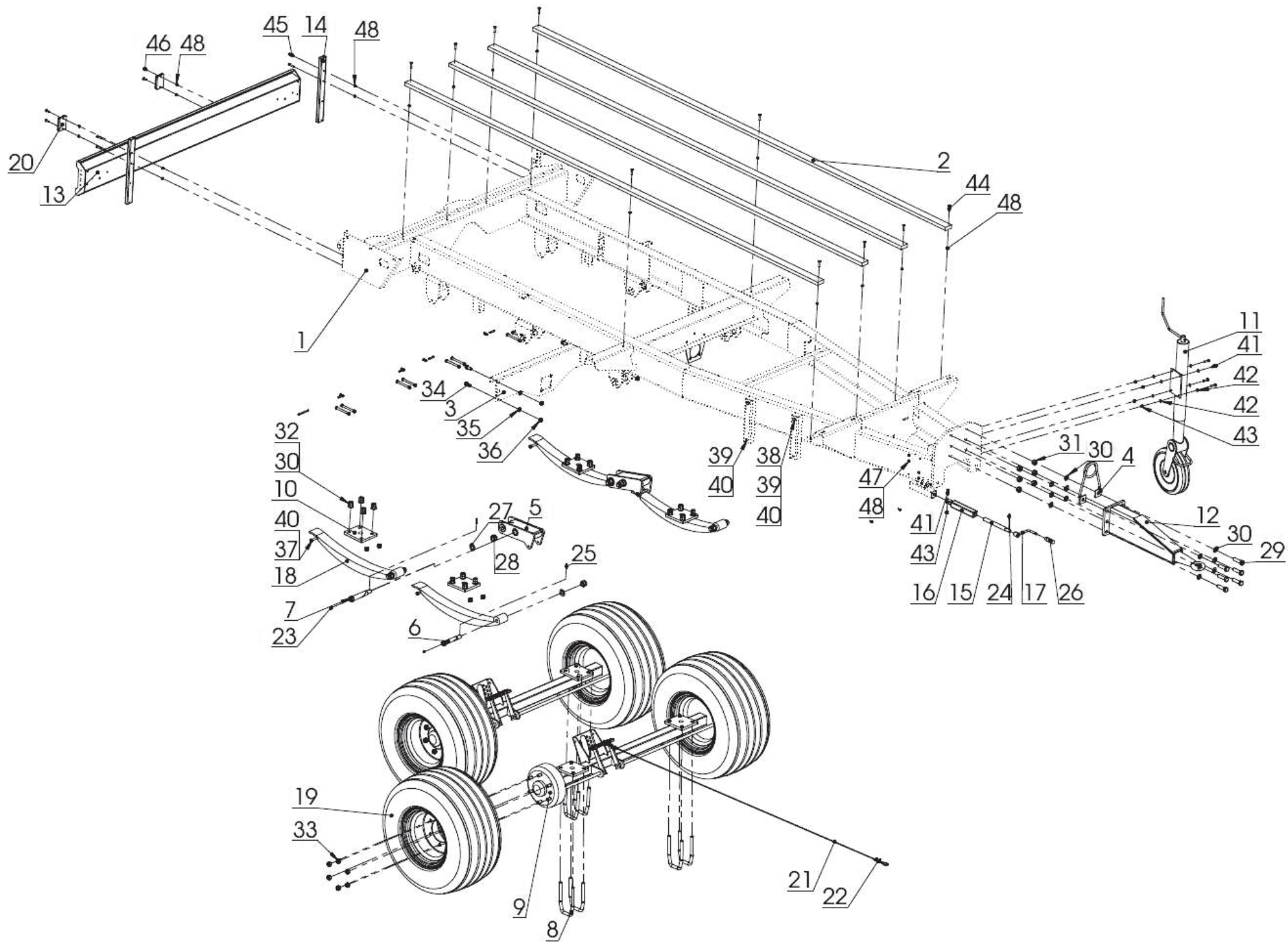
N280/1

N280/2

## Lower frame and suspension

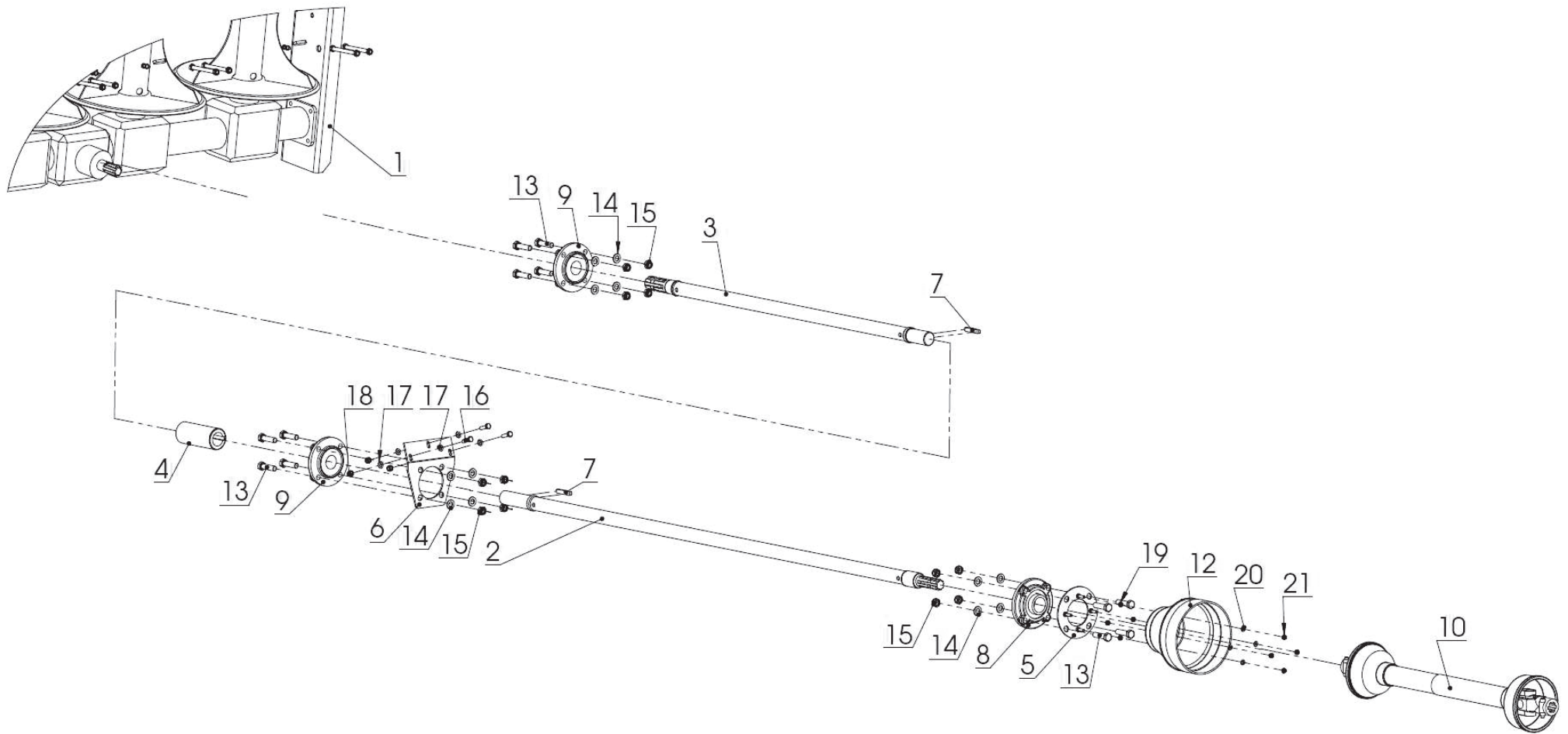
No.:	Name of assembly or part:	N280		N280/1		N280/2	
		Index:	Quantity:	Index:	Quantity:	Index:	Quantity:
1	Chassis frame	N280 01.00.00	1	N280 01.00.00	1	N280-2 01.00.00	1
2	Wooden slide	N280 01.00.25	4	N280 01.00.25	4	N280-2 01.00.25	4
3	Crossbar II	N280 01.01.01	1	N280 01.01.01	1	N280 01.01.01	1
4	Grommet set	N280 01.04.00	1	N280 01.04.00	1	N280 01.04.00	1
5	Suspension spring fastener set	N280 01.10.00	2	N280 01.10.00	2	N280 01.10.00	2
6	Suspension spring pin	N280 01.10.07	4	N280 01.10.07	4	N280 01.10.07	4
7	Fastener pin	N280 01.10.08	2	N280 01.10.08	2	N280 01.10.08	2
8	Axis stirrup bolt	N280 01.30.03	8	N280 01.30.03	8	N280 01.30.03	8
9	Axle, set	N280 01.50.00	2	N280 01.50.00	2	N280 01.50.00	2
10	Steel sheet under stirrup bolt	N280 01.50.01	4	N280 01.50.01	4	N280 01.50.01	4
11	Support wheel	N280 01.60.00	1	N280-1 01.60.00	1	N280-1 01.60.00	1
12	Catch	N280 09.00.00	1	N280 09.00.00	1	N280 09.00.00	1
13	Lamp bracket beam	N280 11.02.00	1	N280 11.02.00	1	N280 11.02.00	1
14	Bumper bracket	N280 11.01.01	2	N280 11.01.01	2	N280 11.01.01	2
15	Bolt	N267 02.01.33	1	N267 02.01.33	1	N267 02.01.33	1
16	Pull slider	N267 02.01.34	1	N267 02.01.34	1	N267 02.01.34	1
17	Pull crank	N267 02.01.37	1	N267 02.01.37	1	N267 02.01.37	1
18	Leaf spring	POD-KOS-000075	4	POD-KOS-000075	4	POD-KOS-000075	4
19	Wheel, set	25K400/60/15,3	4	POD-KOL-000001-1	4	POD-KOL-000001-1 or POD-KOJ-000035	4
20	Rubber washer-fender 65x100	POD-TSZ-000007-1	2	POD-TSZ-000007-1	2	POD-TSZ-000007-1	2
21	Wire rope 5 mm	25LS5	2,5 rm	25LS5	2,5 rm	25LS5	2,5 rm
22	Rope clamp 5 mm	23ZL	4	23ZL	4	23ZL	4
23	Grease nipple, M10	23SM10/1	6	23SM10/1	6	23SM10/1	6
24	Spring pin	26K6/30	1	26K6/30	1	26K6/30	1
25	Cotter pin, 4x50 galv.	24Z4/50	6	24Z4/50	6	24Z4/50	6
26	Feeder handle	25RP	1	25RP	1	25RP	1
27	Round washer, 24 galv. 82005	23P24OC	6	23P24OC	6	23P24OC	6
28	Castellated nut, M24, class 8 galv. 82148	POD-ELZ-000396	6	POD-ELZ-000396	6	POD-ELZ-000396	6
29	Bolt, 20x70 galv. 8.8 82105	POD-ELZ-000014-1	6	POD-ELZ-000014-1	6	POD-ELZ-000014-1	6
30	Round washer, 20	23P20OOC	28	23P20OOC	28	23P20OOC	28
31	Self-retaining nut, M20 galv. 82175 8	23NS20OC 82175	6	23NS20OC 82175	6	23NS20OC 82175	6

32	Nut, M20x1.5	23N20-1.5OC	32	23N20-1.5OC	32	23N20-1.5OC	32
33	Wheel nut		24		24		24
34	Bolt, 16x35 galv. 82105	23S16-35 8.8OC	4	23S16-35 8.8OC	4	23S16-35 8.8OC	4
35	Round washer, 16 galv. 82005	23P16OOC	4	23P16OOC	4	23P16OOC	4
36	Self-retaining nut, M16 galv. 82175 8	23NS16OC	4	23NS16OC	4	23NS16OC	4
37	Bolt M12x120 galv. 82101	23S12x120OC	4	23S12x120OC	4	23S12x120OC	4
38	Bolt, M12x35 82105	23S12-35OC 8.8	2	23S12-35OC 8.8	2	23S12-35OC 8.8	2
39	Round washer, 12 galv. 82005	23P12OC	4	23P12OC	4	23P12OC	4
40	Self-retaining nut, M12 galv. 82175 8	23NS12OC	8	23NS12OC	8	23NS12OC	8
41	Bolt, M10x35	23S13/35OC 8.8	5	23S13/35OC 8.8	5	23S13/35OC 8.8	5
42	Round washer, 10 galv. 82005	23P10 82005	8	23P10 82005	8	23P10 82005	8
43	Self-retaining nut, M10 galv. 82175 8	23NS10OC	5	23NS10OC	5	23NS10OC	5
44	Neck bolt 8x40 8.8 82406 galv. 82406	23S8-40P	10	23S8-40P	10	23S8-40P	10
45	Bolt, 8x40 galv. 82105	23S8-40OC 8.8	4	23S8-40OC 8.8	4	23S8-40OC 8.8	4
46	Neck bolt 8x25 galv. 8.8 82406	23S8-25galv. 82406	4	23S8-25galv. 82406	4	23S8-25galv. 82406	4
47	Bolt, 8x25 galv. 82105	23S8-25OC8.8	4	23S8-25OC8.8	4	23S8-25OC8.8	4
48	Plain washer 8	23P8OC	4	23P8OC	4	23P8OC	4
49	Self-retaining nut, M8 galv. 82175 8	23NS8OC	20	23NS8OC	20	23NS8OC	20



Power system

No.	Name of assembly or part:	N280		N280/1		N280/2	
		Index:	Quantity:	Index:	Quantity:	Index:	Quantity:
1	Adapter	N267-1 09.00.00.1	1	N267 09.00.00.1	1	N267 09.00.00.1	1
2	Shaft I	N280 03.01.00	1	N280 03.01.00	1	N280 03.01.00	1
3	Shaft II	N280 03.02.00	1	N280 03.02.00	1	N280 03.02.00	1
4	Clutch bush	N267 02.04.06	1	N267 02.04.06	1	N267 02.04.06	1
5	Guard fitting	N267 02.04.30.1	1	N267 02.04.30.1	1	N267 02.04.30.1	1
6	Bearing hanger	N280 01.03.01	1	N280 01.03.01	1	N280 01.03.01	1
7	Key, 12x8x70	POD-ELZ-000433	2	POD-ELZ-000433	2	POD-ELZ-000433	2
8	Bearing assembly, UCFC 210	25L210UCFC	1	25L210UCFC	1	25L210UCFC	1
9	Bearing assembly, UCFC 209	25L209UCFC	2	25L209UCFC	2	25L209UCFC	2
10	Telescopic jointed shaft	25WP	1	25WP	1	25WP	1
11	Shaft w/friction clutch	POD-WPS-000120	1	POD-WPS-000120	1	POD-WPS-000120	1
12	Articulated joint cover	25OW	1	25OW	1	25OW	1
13	Bolt, 16x60 galv. 82101	23S16-60	12	23S16-60	12	23S16-60	12
14	Round washer, 16 galv. 82005	23P16OOC	12	23P16OOC	12	23P16OOC	12
15	Self-retaining nut, M16 galv. 82175 8	23NS16OC	12	23NS16OC	12	23NS16OC	12
16	Bolt, M10x35	23S10/35OC 8.8	3	23S10/35OC 8.8	3	23S10/35OC 8.8	3
17	Round washer, 10 galv. 82005	23P10 82005	6	23P10 82005	6	23P10 82005	6
18	Self-retaining nut, M10 galv. 82175 8	23NS10OC	3	23NS10OC	3	23NS10OC	3
19	Plain washer 8	23P8OC	4	23P8OC	4	23P8OC	4
20	Nut, M8 galv.	23N8	4	23N8	4	23N8	4
21	Self-retaining nut, M8 galv. 82175 8	23NS8OC	4	23NS8OC	4	23NS8OC	4

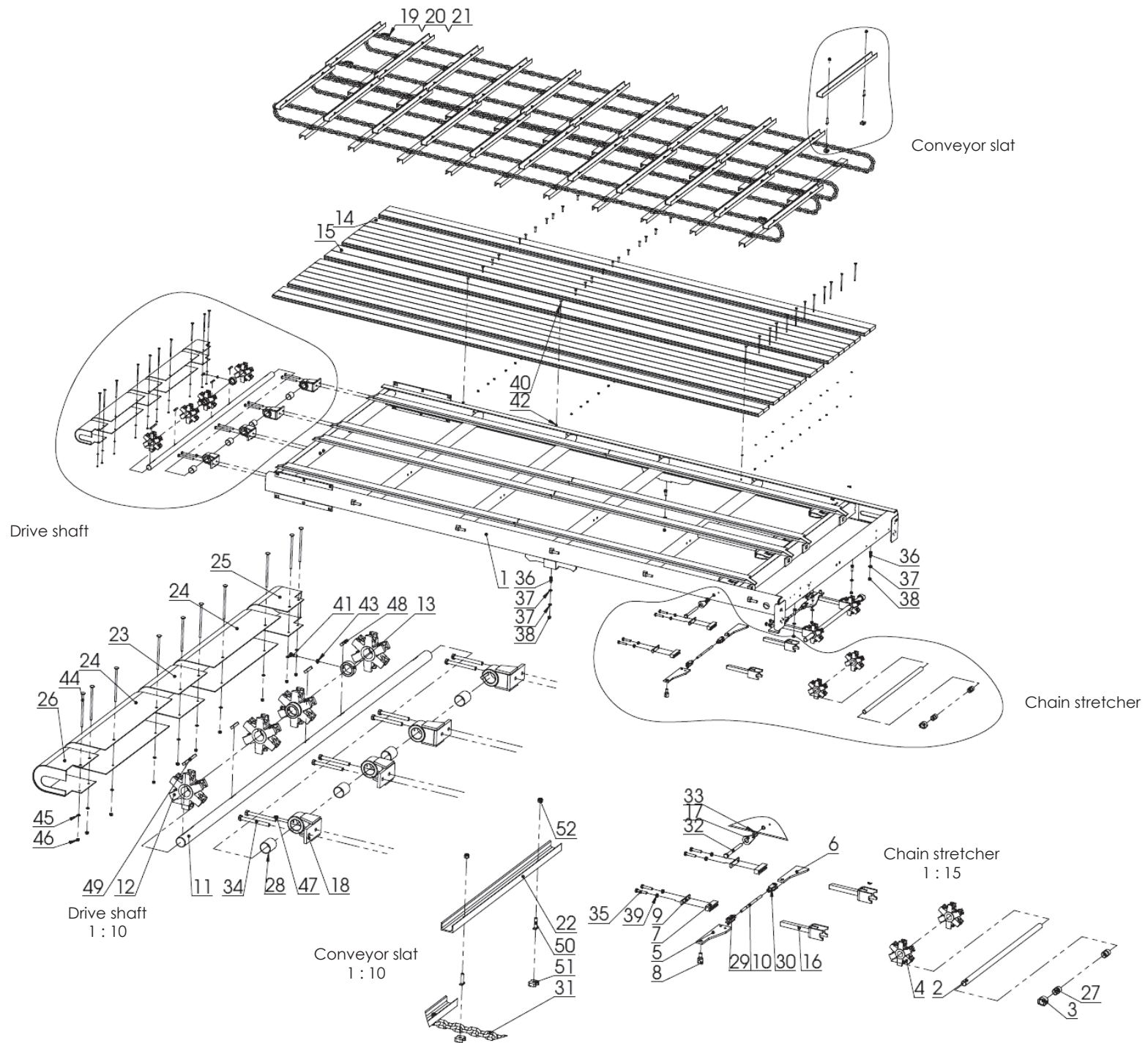


## Floor unit

No.	Name of assembly or part:	N280		N280/1		N280/2	
		Index:	Quantity:	Index:	Quantity:	Index:	Quantity:
1	Floor welded frame set	N280 02.01.00	1	N280 02.01.00	1	N280-2 02.01.00	1
2	Stretcher roll	N280 02.00.03	2	N280 02.00.03	2	N280 02.00.03	2
3	Locking bushing	N280 02.00.04	2	N280 02.00.04	2	N280 02.00.04	2
4	Stretcher chain wheel	N280 02.00.05	4	N280 02.00.05	4	N280 02.00.05	4
5	Stretcher wedge I	N280 02.00.06	2	N280 02.00.06	2	N280 02.00.06	2
6	Stretcher wedge II	N280 02.00.07	2	N280 02.00.07	2	N280 02.00.07	2
7	Stretcher pusher block	N280 02.00.08	4	N280 02.00.08	4	N280 02.00.08	4
8	Stretcher fastener	N280 02.00.09	2	N280 02.00.09	2	N280 02.00.09	2
9	Stretcher block lock	N280 02.00.10	4	N280 02.00.10	4	N280 02.00.10	4
10	Stretcher pulling bar	N280 02.00.11	2	N280 02.00.11	2	N280 02.00.11	2
11	Feeder drive shaft	N280 02.00.13	1	N280 02.00.13	1	N280 02.00.13	1
12	Feeder drive wheel	N280 02.00.14	4	N280 02.00.14	4	N280 02.00.14	4
13	Locking bushing	N280 02.00.15	4	N280 02.00.15	4	N280 02.00.15	4
14	Floor board	N280 02.00.17	16	N280 02.00.17	16	N280 02.00.17	16
15	Middle floor board	N280 02.00.18	2	N280 02.00.18	2	N280 02.00.18	2
16	Stretcher set	N280 02.02.00	4	N280 02.02.00	4	N280 02.02.00	4
17	Stretcher lock set	N280 02.03.00	2	N280 02.03.00	2	N280 02.03.00	2
18	Feeder shaft bracket, set	N280 02.12.00	4	N280 02.12.00	4	N280 02.12.00	4
19	Chain joint	POD-LAN-000075	4	POD-LAN-000075	4	POD-LAN-000075	4
20	Connector plate	POD-LAN-000075	4	POD-LAN-000075	4	POD-LAN-000075	4
21	Coupler cotter pin	POD-LAN-000075	4	POD-LAN-000075	4	POD-LAN-000075	4
22	Scraper strip	N280 02.16.05	2	N280 02.16.05	2	N280 02.16.05	2
23	Guard I set	N280 02.17.00	1	N280 02.17.00	1	N280 02.17.00	1
24	Guard II set	N280 02.18.00	2	N280 02.18.00	2	N280 02.18.00	2
25	Guard III set	N280 02.19.00	1	N280 02.19.00	1	N280 02.19.00	1
26	Guard IV set	N280 02.20.00	1	N280 02.20.00	1	N280 02.20.00	1
27	Tensioner wheel bush PAP 3020 P20	25TSPAP3020	8	25TSPAP3020	8	25TSPAP3020	8
28	Power shaft bush PAP 4050 P20	25TSPAP4050	4	25TSPAP4050	4	25TSPAP4050	4
29	Fork articulated joint L	POD-OGL-000468	2	POD-OGL-000468	2	POD-OGL-000468	2
30	Fork articulated joint P	POD-OGL-000467	2	POD-OGL-000467	2	POD-OGL-000467	2
31	Chain NK10	POD-LAN-000072	4x9.5 m	POD-LAN-000072	4x9.5 m	POD-LAN-000072	4x10.5 m
32	Bolt, M16x180	23S16/180 8.8 OC	2	23S16/180 8.8 OC	2	23S16/180 8.8 OC	2
33	Round washer, 16 galv. 82005	23P16OOC	2	23P16OOC	2	23P16OOC	2

34	Bolt M12x120 galv. 82101	23S12x120OC	8	23S12x120OC	8	23S12x120OC	8
35	Bolt, 12x60 galv. 8.8 82105	POD-ELZ-000429	8	POD-ELZ-000429	8	POD-ELZ-000429	8
36	Bolt, M12x35 82105	23S12-35OC 8.8	6	23S12-35OC 8.8	6	23S12-35OC 8.8	6
37	Round washer, 12 galv. 82005	23P12OC	8	23P12OC	8	23P12OC	8
38	Self-retaining nut, M12 galv. 82175 8	23NS12OC	14	23NS12OC	14	23NS12OC	14
39	Nut, M12cz 82144 5	23N12	8	23N12	8	23N12	8
40	Neck bolt 8x40 8.8 82406 galv. 82406	23S8-40P	24	23S8-40P	24	23S8-40P	24
41	Bolt, 8x25 galv. 82105	23S8-25OC8.8	4	23S8-25OC8.8	4	23S8-25OC8.8	4
42	Self-retaining nut, M8 galv. 82175 8	23NS8OC	24	23NS8OC	24	23NS8OC	24
43	Nut M8 OC	23N8	2	23N8	2	23N8	2
44	Neck bolt 6x140 galv. 82406	POD-ELZ-000600	22	POD-ELZ-000600	22	POD-ELZ-000600	22
45	Round washer, 6 galv. 82005	23P6OOC	22	23P6OOC	22	23P6OOC	22
46	Self-retaining nut, M6 galv. 82175 8	23NS6OC	22	23NS6OC	22	23NS6OC	22
47	Grease nipple, M8x1	23SM8	4	23SM8	4	23SM8	4
48	Key, 12x8x100	POD-ELZ-000078	1	POD-ELZ-000078	1	POD-ELZ-000078	1
49	Key, 12x8x50	POD-ELZ-000077	4	POD-ELZ-000077	4	POD-ELZ-000077	4
50	T bolt M10x40	POD-ELZ-000-604	84	POD-ELZ-000-604	84	POD-ELZ-000-604	92
51	Chain block	POD-ELZ-000603	84	POD-ELZ-000603	84	POD-ELZ-000603	92
52	Self-locking nut M10	23NS10OC	84	23NS10OC	84	23NS10OC	92

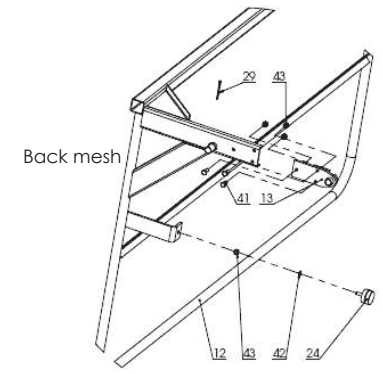
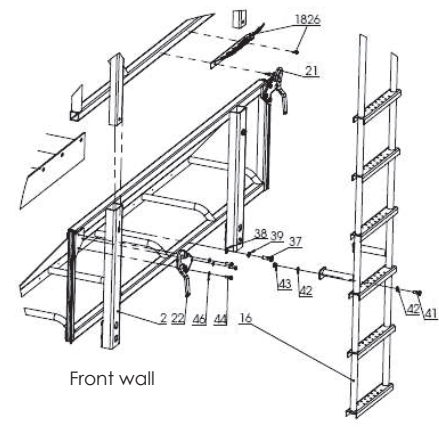
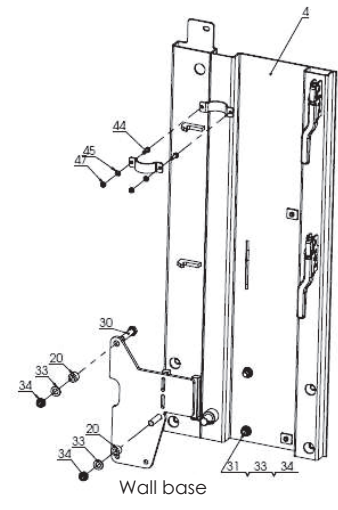
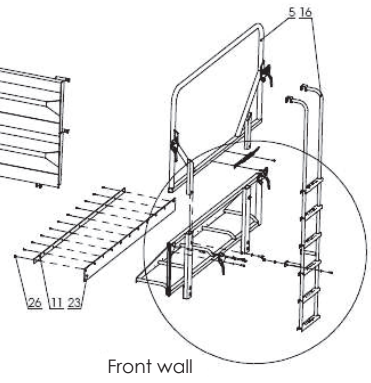
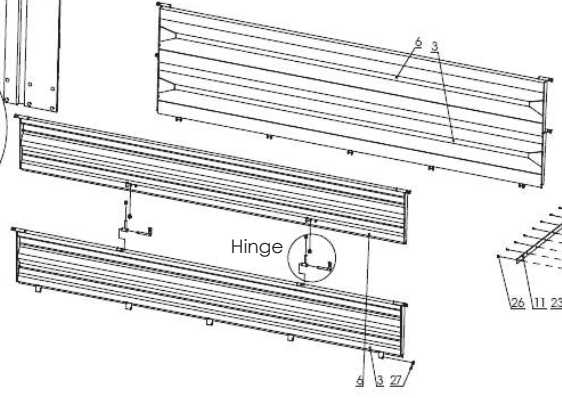
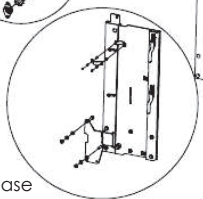
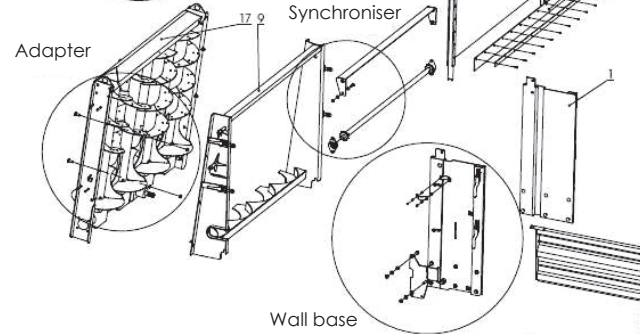
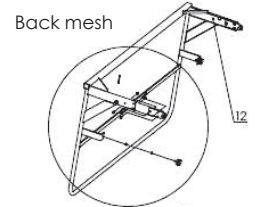
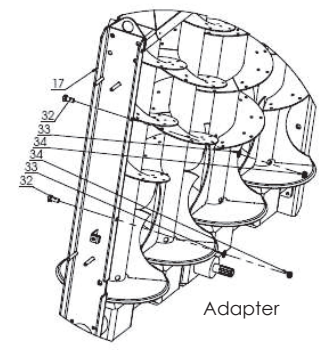
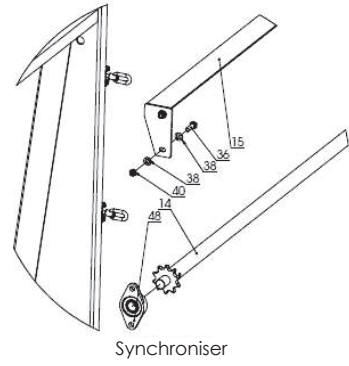
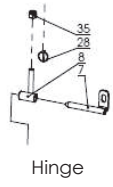




## Walls, meshes, gate and adapter

No.	Name of assembly or part:	N280		N280/1		N280/2	
		Index:	Quantity:	Index:	Quantity:	Index:	Quantity:
1	Wall base left	N280 04.01.00	1	N280-1 04.01.00	1	N280-1 04.01.00	1
2	Front wall set	N280 04.02.00.1	1	N280-1 04.02.00.1	1	N280 04.02.00.1	1
3	Side wall set	N280 04.03.00	2	N280-1 04.03.00	2	N280 04.03.00	2
4	Wall base, right	N280 04.04.00	1	N280-1 04.04.00	1	N280-1 04.04.00	1
5	Front mesh	N280 04.06.00.1	1	N280 04.06.00.1	1	N280 04.06.00.1	1
6	Top section set	N280 04.07.00	2	N280 04.07.00	2	N280-2 04.07.00	2
7	Top section hinge axis	N280 04.08.00	4	N280 04.08.00	4	N280 04.08.00	4
8	Top section connector	N280 04.09.00	4	N280 04.09.00	4	N280 04.09.00	4
9	Adapter connector	N280 05.00.00	1	N280-1 05.00.00	1	N280-1 05.00.00	1
10	Gate	N280 06.00.00	1	N280 06.00.00	1	N280 06.00.00	1
11	Rubber chuck	N280 06.00.02	1	N280 06.00.02	1	N280 06.00.02	1
12	Back mesh	N280 07.01.00.1	1	N280 07.01.00.1	1	N280 07.01.00.1	1
13	Back mesh hinge	N280 07.02.00	2	N280 07.02.00	2	N280 07.02.00	2
14	Synchroniser	N280 08.00.00	1	N280 08.00.00	1	N280 08.00.00	1
15	Side walls bracing	N280 08.02.00	1	N280 08.02.00	1	N280 08.02.00	1
16	Ladder	N280 10.00.00	1	N280 10.00.00	1	N280 10.00.00	1
17	Adapter	N267-1 09.00.00.1	1	N267 09.00.00.1	1	N267 09.00.00.1	1
18	Cable hanger	N267 03.00.10	1	N267 03.00.10	1	N267 03.00.10	1
19	Slider	N267-1 10.00.06	4	N267-1 10.00.06	4	N267-1 10.00.06	4
20	Gearbox spacing bush	N272 09.00.01.1	2	N272 09.00.01.1	2	N272 09.00.01.1	2
21	Side wall lock, right	POD-OGL-000461	2	POD-OGL-000461	2	POD-OGL-000461	2
22	Side wall lock, left	POD-OGL-000460	2	POD-OGL-000460	2	POD-OGL-000460	2
23	Sealing rubber	POD-TSZ-000056	1	POD-TSZ-000056	1	POD-TSZ-000056	1
24	Mesh fender	POD-TSZ-000107	2	POD-TSZ-000107	2	POD-TSZ-000107	2
25	Phillips Hd screw 6.3x22		36		36		36
26	Self-tapping screw, 6.3x25	POD-ELZ-000405	24	POD-ELZ-000405	24	POD-ELZ-000405	24

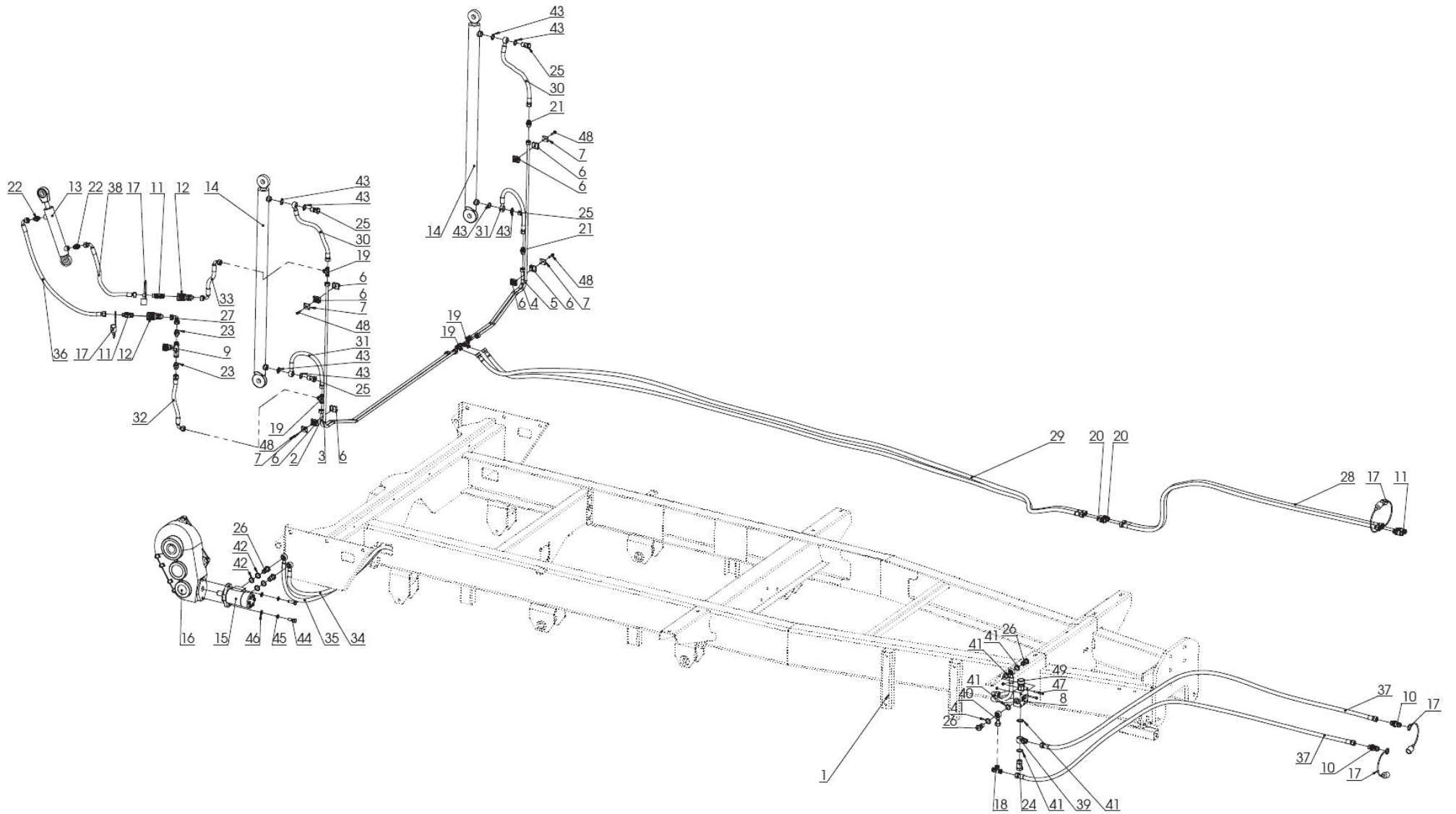
27	Spring protection 15x28.0x2.8	POD-ELZ-000601	2	POD-ELZ-000601	2	POD-ELZ-000601	2
28	Cotter pin w/ring, 4.5 mm	POD-ELZ-000444	4	POD-ELZ-000444	4	POD-ELZ-000444	4
29	Cotter pin, 5x63 galv.	23Z5-63	8	23Z5-63	8	23Z5-63	8
30	Bolt, M16x70 82101	23S16x70	1	23S16x70	1	23S16x70	1
31	Neck bolt 16x40 galv. 8.8 82406	POD-ELZ-000597	12	POD-ELZ-000597	12	POD-ELZ-000597	12
32	Bolt, 16x35 galv. 82105	23S16-35 8.8OC	4	23S16-35 8.8OC	4	23S16-35 8.8OC	4
33	Round washer, 16 galv. 82005	23P16OOC	18	23P16OOC	18	23P16OOC	18
34	Self-retaining nut, M16 galv. 82175 8	23NS16OC	18	23NS16OC	18	23NS16OC	18
35	Self-retaining nut, M14 galv. 82175 8	23NS14OC	4	23NS14OC	4	23NS14OC	4
36	Bolt M12x40 82105 82105	23S12-40OC 8.8	4	23S12-40OC 8.8	4	23S12-40OC 8.8	4
37	Bolt, M12x35 82105	23S12-35OC 8.8	6	23S12-35OC 8.8	6	23S12-35OC 8.8	6
38	Round washer, 12 galv. 82005	23P12OC	14	23P12OC	14	23P12OC	14
39	Spring washer, 12 galv. 82008	23P12SP	2	23P12SP	2	23P12SP	2
40	Self-retaining nut, M12 galv. 82175 8	23NS12OC	8	23NS12OC	8	23NS12OC	8
41	Bolt, 10x25 galv. 82105 82105	23S10-25OC 8.8	8	23S10-25OC 8.8	8	23S10-25OC 8.8	8
42	Round washer, 10 galv. 82005	23P10 82005	6	23P10 82005	6	23P10 82005	6
43	Self-retaining nut, M10 galv. 82175 8	23NS10OC	10	23NS10OC	10	23NS10OC	10
44	Bolt, 8x25 galv. 82105	23S8-25OC8.8	16	23S8-25OC8.8	16	23S8-25OC8.8	16
45	Plain washer 8	23P8OC	4	23P8OC	4	23P8OC	4
46	Spring washer, 8.2 galv. 82008	23P8SPOC	12	23P8SPOC	12	23P8SPOC	12
47	Self-retaining nut, M8 galv. 82175 8	23NS8OC	4	23NS8OC	4	23NS8OC	4



## Hydraulics

No.	Name of assembly or part:	N280		N280/1		N280/2	
		Index:	Quantity:	Index:	Quantity:	Index:	Quantity:
1	Chassis frame	N280 01.00.00	1	N280 01.00.00	1	N280 01.00.00	1
2	Gate I pipe, right	N280 20.00.01	1	N280 20.00.01	1	N280 20.00.01	1
3	Gate II pipe, right	N280 20.00.03	1	N280-1 20.00.03	1	N280-1 20.00.03	1
4	Gate I pipe, left	N280 20.00.02	1	N280 20.00.02	1	N280 20.00.02	1
5	Gate II pipe, left	N280 20.00.04	1	N280-1 20.00.04	1	N280-1 20.00.04	1
6	HBK fixture 12x2 – clamping ring	POD-HPZ-000010-1	8	POD-HPZ-000010-1	8	POD-HPZ-000010-1	8
7	HBK fixture 12x2 – lid	POD-HPZ-000010-1	4	POD-HPZ-000010-1	4	POD-HPZ-000010-1	4
8	Flow regulating valve TVTC-50-NV-1/2-3/4	POD-HZW-000020-1	1	POD-HZW-000020-1	1	POD-HZW-000020-1	1
9	Throttle-check valve, VRFU 90-3/8"	24ZD	1	24ZD	1	24ZD	1
10	Quick-release coupling M22	24ZWE13	2	24ZWE13	2	24ZWE13	2
11	Quick-release coupling M18	24ZWE13-M18X1.5	4	24ZWE13-M18X1.5	4	24ZWE13-M18X1.5	4
12	EURO valve-socket, M18x1.5 long	POD-HZW-000039	2	POD-HZW-000039	2	POD-HZW-000039	2
13	Actuator T138-SMT2MF. 40/22/170	POD-HSL-000013-1	1	POD-HSL-000013-1	1	POD-HSL-000013-1	1
14	Gate actuator	POD-HSL-000026-1	2	POD-HSL-000027-1	2	POD-HSL-000027-1	2
15	Hydraulic motor	POD-HSL-000003-1	1	POD-HSL-000003-1	1	POD-HSL-000003-1	1
16	Worm gear	POD-WPS-000004-1	1	POD-WPS-000004-1	1	POD-WPS-000004-1	1
17	Plug-valve cap	24ZWNE13	6	24ZWNE13	6	24ZWNE13	6
18	Tee-connector, 22x22x22 15L	POD-HKR-000007-1	1	POD-HKR-000007-1	1	POD-HKR-000007-1	1
19	Tee-connector, 18x18x18 12L	24KT18/18/18	4	24KT18/18/18	4	24KT18/18/18	4
20	Straight partition coupling, M18x1.5	POD-HKR-000086	2	POD-HKR-000086	2	POD-HKR-000086	2
21	Straight coupling, 18x18/1.5	24KP18/18	2	24KP18/18	2	24KP18/18	2
22	Straight connector M16x1.5-M 18x1.5	POD-HKR-000078	2	POD-HKR-000078	2	POD-HKR-000078	2
23	Straight connector 3/8x18-1.5 12LR	24KP3/8 18	2	24KP3/8 18	2	24KP3/8 18	2
24	Eye bolt 3/4" 29 L42	POD-HKR-000019	1	POD-HKR-000019	1	POD-HKR-000019	1
25	Eye bolt M22x1.5 22 L38	POD-HPZ-000009-1	4	POD-HPZ-000009-1	4	POD-HPZ-000009-1	4
26	Eye bolt 1/2" 20 L36	24SO1/2"	4	24SO1/2"	4	24SO1/2"	4
27	Elbow M18Nx2		1		1		1
28	Flexible line	AA/211/10 L-3000	2	AA/211/10 L-3000	2	AA/211/10 L-3000	2
29	Flexible line	AA/211/10 L-4200	2	AA/211/10 L-4200	2	AA/211/10 L-4200	2
30	Flexible line	RNMA/2_1/10 L-500 eye M22	2	RNMA/2_1/10 L-500 eye M22	2	RNMA/2_1/10 L-500 eye M22	2
31	Flexible line	RNMA/2_1/10 L-400 eye M22	2	RNMA/2_1/10 L-400 eye M22	2	RNMA/2_1/10 L-400 eye M22	2

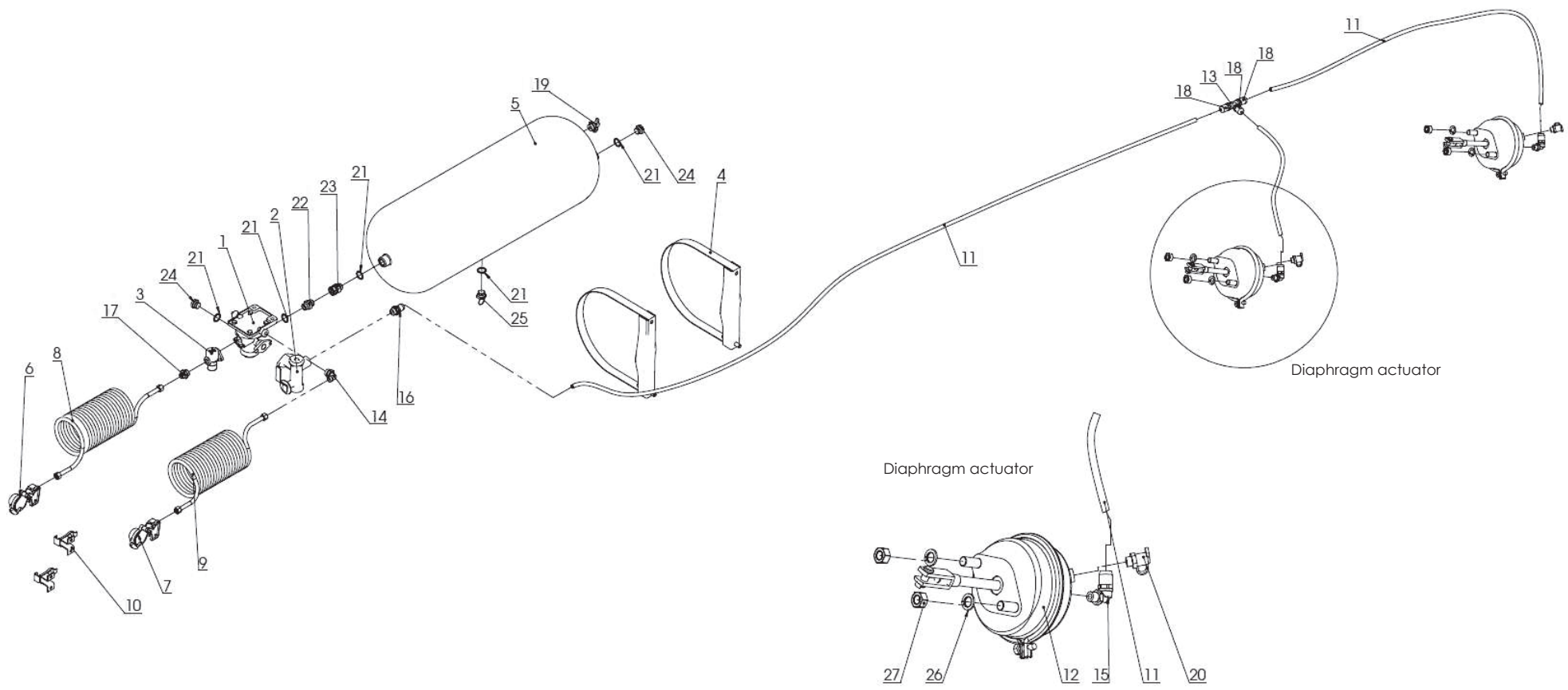
32	Flexible line	A90A/211/10 L-450	1	A90A/211/10 L-450	1	A90A/211/10 L-450	1
33	Flexible line	A90A90/211/10 L-300 rotated by 180°	1	A90A90/211/10 L-300 rotated by 180°	1	A90A90/211/10 L-300 rotated by 180°	1
34	Flexible line	RNRA90/213/13 L-5400	1	RNRA90/213/13 L-5400	1	RNRA90/213/13 L-5900	1
35	Flexible line	RNRRNR/211/13 L-5400	1	RNRRNR/211/13 L-5400	1	RNRRNR/211/13 L-5900	1
36	Flexible line	A90A/211/10 L-800	1	A90A/211/10 L-800	1	A90A/211/10 L-800	1
37	Flexible line	AA/213/13 L-3000	2	AA/213/13 L-3000	2	AA/213/13 L-3000	2
38	Flexible line	A90A/211/10 L-550	1	A90A/211/10 L-550	1	A90A/211/10 L-550	1
39	Valve feed connector	Eye 3/4" + Stud coupling M22	1	Eye 3/4" + Stud coupling M22	1	Eye 3/4" + Stud coupling M22	1
40	Valve overflow connector	Eye 1/2" + pipe dia. 15 L=50 mm	1	Eye 1/2" + pipe dia. 15 L=50 mm	1	Eye 1/2" + pipe dia. 15 L=50 mm	1
41	O-ring, 3/4"	POD-HPZ-000080	2	POD-HPZ-000080	2	POD-HPZ-000080	2
42	O-ring, PPM 1/2"	POD-HPZ-000044-1	8	POD-HPZ-000044-1	8	POD-HPZ-000044-1	8
43	O-ring PPM 22 30x22	24UPPM22	8	24UPPM22	8	24UPPM22	8
44	Bolt, M12x35 82105	23S12/35OC 8.8	2	23S12/35OC 8.8	2	23S12/35OC 8.8	2
45	Spring washer 12 OC 82008	23P12SP	2	23P12SP	2	23P12SP	2
46	Round washer, 12 galv. 82005	23P12OC	2	23P12OC	2	23P12OC	2
47	Allen bolt, 6x50 bl 82302 8.8	23SI6/50 8.8	2	23SI6/50 8.8	2	23SI6/50 8.8	2
48	Bolt, 6x35 galv. 82105	23S6/35galv.	4	23S6/35galv.	4	23S6/35galv.	4
49	Self-retaining nut, M6 galv. 82175 8	23NS6OC	2	23NS6OC	2	23NS6OC	2



Pneumatic brake system

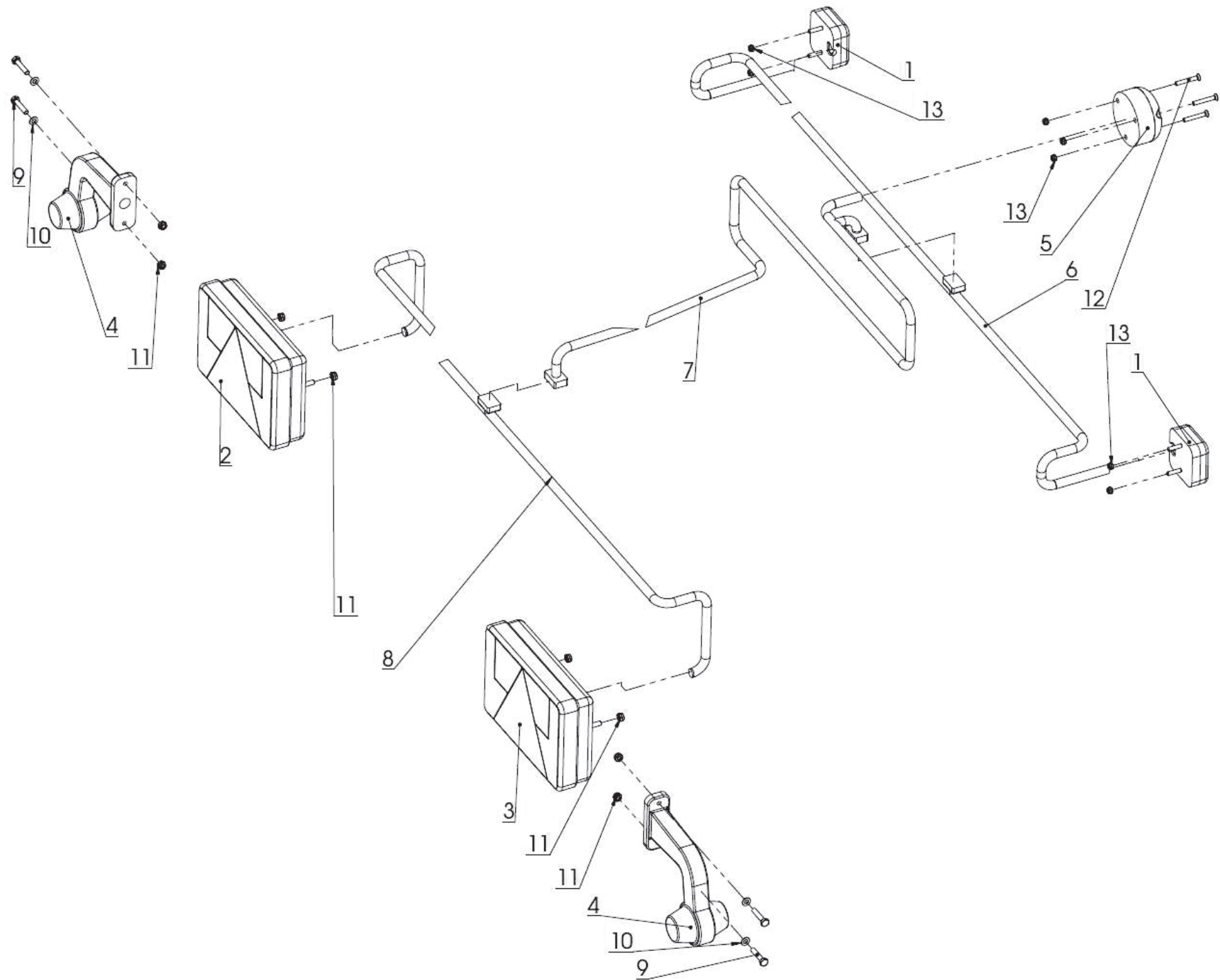
No.	Name of assembly or part:	N280		N280/1		N280/2	
		Index:	Quantity:	Index:	Quantity:	Index:	Quantity:
1	HALDEX double-circuit braking valve	POD-OGL-000513	1	POD-OGL-000513	1	POD-OGL-000513	1
2	Braking force control valve		1		1		
3	HALDEX brake release		1		1		
4	Tank base with band		2		2		
5	Air tank 60l dia.310		1		1		
6	Brake cable connector, red		1		1		
7	Brake cable connector, yellow		1		1		
8	12 mm spiral cable, red		1		1		
9	12 mm spiral cable, yellow		1		1		
10	PNE cable hanger		2		2		
11	TECALAN cable dia. 12	POD-TSZ-000050	6 rm	POD-TSZ-000050	6 rm	POD-TSZ-000050	6.5 rm
12	Diaphragm actuator 24	POD-OGL-000514 POD-OGL-000516	2	POD-OGL-000514 POD-OGL-000516	2	POD-OGL-000514 POD-OGL-000516	2
13	Tee 3xdia. 12	POD-OGL-000513	1	POD-OGL-000513	1	POD-OGL-000513	1
14	Elbow M22/M18z		1		1		
15	Elbow M16x1.5		2		2		
16	Straight coupling M22/12 mm		1		1		
17	Straight coupling M22/M18z		1		1		
18	Straight coupling M16/12 mm		3		3		
19	Check connector M22x1.5		1		1		
20	Check connector M16x1.5		2		2		
21	O-ring PPM 22 30x22	24UPPM22	5	24UPPM22	5	24UPPM22	5
22	Straight coupling M22	24K22-22	1	24K22-22	1	24K22-22	1
23	Straight coupling, M22 O.D./M22x1.5 dia.15 female	POD-HKR-000041	1	POD-HKR-000041	1	POD-HKR-000041	1
24	Plug, M22x1.5	24K22/1.5	2	24K22/1.5	2	24K22/1.5	2
25	Drain valve, 83 10 011 0	23ZODW.	1	23ZODW.	1	23ZODW.	1
26	Spring washer, 16.3 82008	23P16SP	4	23P16SP	4	23P16SP	4
27	Nut, M16	23N16OC	4	23N16OC	4	23N16OC	4
28							





## Lighting installation

No.	Name of assembly or part:	N280		N280/1		N280/2	
		Index:	Quantity:	Index:	Quantity:	Index:	Quantity:
1	Square clearance lamp w/reflective light LO 093	POD-ELK-000011-1	2	POD-ELK-000011-1	2	POD-ELK-000011-1	2
2	Tail cluster lamp w/triangle HOR45 -LZT471 left	POD-ELK-000012-1	1	POD-ELK-000012-1	1	POD-ELK-000012-1	1
3	Tail cluster lamp w/triangle HOR45 -LZT 478 right	POD-ELK-000013-1	1	POD-ELK-000013-1	1	POD-ELK-000013-1	1
4	Outrigged clearance lamp, LO 355	POD-ELK-000028-1	2	POD-ELK-000028-1	2	POD-ELK-000028-1	2
5	Seven-pin socket	POD-ELK-000202	1	POD-ELK-000202	1	POD-ELK-000202	1
6	Front branch of el. harness		1		1		
7	Central harness		1		1		
8	Back branch of el. harness		1		1		
9	Bolt, 6x30 galv. 82105	23S6-30 8.8 82105OC	4	23S6-30 8.8 82105OC	4	23S6-30 8.8 82105OC	4
10	Round washer, 6 galv. 82005	23P6OOC	4	23P6OOC	4	23P6OOC	4
11	Self-retaining nut, M6 galv. 82175 8	23NS6OC	8	23NS6OC	8	23NS6OC	8
12	Screw 5x35 galv.	23W5-35	3	23W5-35	3	23W5-35	3
13	Self-retaining nut, M5 galv. 82175 8	POD-ELZ-000471	7	POD-ELZ-000471	7	POD-ELZ-000471	7
14							
15							



### **Spare parts shop**

telephone: 85 711 07 81

fax: 85 711 07 93

[sklep.mf@metalfach.com.pl](mailto:sklep.mf@metalfach.com.pl)

---

### **Service**

telephone: 85 711 07 80

fax: 85 711 07 93

[serwis@metalfach.com.pl](mailto:serwis@metalfach.com.pl)